

DECONTACTORS

DS



Plugs and socket-outlets with an integral switching device as defined in clause 2.8 of IEC/EN 60309-1 standard

From 30 to 250A

Voltage range up to 690V AC and 250V DC

IP55 (IP54 plug connected)

Compact design

Complies with IEC/EN 60309-1 standard

Ability to make and break under overload conditions to IEC/EN 60947-3 standard class AC23 or AC22: for switching motors or other highly inductive loads (AC23) or for switching of mixed resistive and inductive loads (AC22)

Casings made of glassfibre-reinforced polyester

Silver-nickel tipped contacts, **oxydisation proof**

Spring loaded contacts ensuring constant pressure between the contacts

Vibration-proof terminals

Safety shutter protecting live socket-outlet contacts against small tools and wires (IP4X)

Interior keying system with 24 non-interchangeable positions

Rated current from 20 to 250A according to IEC/EN60309-1 and AC23 or AC22 load break switch according to IEC/EN 60947-3

	MAXIMUM RATED VOLTAGE					Conductor cross-section in mm ²		
	IEC/EN 60309-1 400V	690V	400V	IEC/EN 60947-3 500V	690V	flexible	stranded	auxiliaries (flexible)
DS1	30A	30A	30A-AC23	30A-AC22	20A-AC22	1,5 to 6 (10)*	1,5 to 10 (16)*	1 to 6 (5A)
DS3	50A	50A	50A-AC23	50A-AC22	30A-AC22	2,5 to 10 (16)*	2,5 to 16 (25)*	1 to 2,5 (5A)
DS6	90A	90A	90A-AC23	75A-AC22	63A-AC22	6 to 25 (35)*	6 to 35 (50)*	1,5 (5A)
DS9	150A	125A	150A-AC22	125A-AC22	90A-AC22	16 to 50 (70)*	25 to 70 (95)*	1,5 (5A)
DS2	250A	200A	250A-AC22	200A-AC22	150A-AC22	70 to 95 (150)*	70 to 120 (185)*	1,5 (5A)

*For larger wiring capacity (figure in brackets), please consult us.



These products are also available for many other voltages and frequencies. See page 7

WALL MOUNTING APPLIANCE INLET



=

WALL BOX

CABLE GLAND NOT INCLUDED



(1) and (2)

30° WALL BOX

70° WALL BOX

ENTRY REFERENCE

ENTRY REFERENCE

DS1	30A
DS3	50A
DS6	90A
DS9	150A
DS2	250A

Pe M20	31 1A053	Pe (1)	51 BA058
Pe M25	31 1A083	Pe (2)	51 CA058
Pe M25	31 3A053	M M25	87 3A053
Pe M40	31 6A053	Pe (2)	51 DA058
M M40	39 6A053	M M40	87 6A053
M M50	39 9A053	M M50	87 9A053
M M63	39 2A053 (60°)	-	-

+



220/250V

380/440V

SPNE	SPNE+Aux	3PE	3PE+Aux	3PNE	3PNE+Aux
P 31 18015	31 18015 972	31 18013	31 18013 972	31 18017	31 18017 972
P 31 38015	31 38015 972 31 38015 264	31 38013	31 38013 972 31 38013 264	31 38017	31 38017 972 31 38017 972
P 31 68015	-	31 68013	31 68013 172	31 68017	-
M 39 68015	-	39 68013	39 68013 172	39 68017	-
P 31 98015	-	31 98013	31 98013 172	31 98017	-
M 39 98015	-	39 98013	39 98013 172	39 98017	-
M 39 28015	39 28015 972	39 28013	39 28013 972	39 28017	39 28017 972

For other tappings, please consult us

(1) 4 knock-out entries (2 x M16 to M32 + 2 x PG11 to PG29)
(2) 4 knock-out entries (2 x M16 - M25 to M40 + 2 x PG11 - 21 to PG36)

suffix **172/972** = 2 aux
suffix **264** = 4 aux

INCLINED APPLIANCE INLET



=



Pe **M**

30° INCLINED SLEEVE

70° INCLINED SLEEVE

REFERENCE

REFERENCE

DS1	30A
DS3	50A
DS6	90A
DS9	150A
DS2	250A

Pe 31 1A027	Pe 51 BA757
Pe 31 3A027	Pe 51 CA757
Pe 31 6A027	M 87 3A087
M 39 6A027	Pe 51 DA757
Pe 31 9A027	M 87 6A087
M 39 9A027	M 87 9A087
M 39 2A027 (60°)	-

+



220/250V

380/440V

SPNE	SPNE+Aux	3PE	3PE+Aux	3PNE	3PNE+Aux
P 31 18015	31 18015 972	31 18013	31 18013 972	31 18017	31 18017 972
P 31 38015	31 38015 972 31 38015 264	31 38013	31 38013 972 31 38013 264	31 38017	31 38017 972 31 38017 972
P 31 68015	-	31 68013	31 68013 172	31 68017	-
M 39 68015	-	39 68013	39 68013 172	39 68017	-
P 31 98015	-	31 98013	31 98013 172	31 98017	-
M 39 98015	-	39 98013	39 98013 172	39 98017	-
M 39 28015	39 28015 972	39 28013	39 28013 972	39 28017	39 28017 972

PLUG



=



CABLE GLAND NOT INCLUDED

STANDARD HANDLE

FLOWERPOT HANDLE

Ø mm REFERENCE

ENTRY REFERENCE

DS1	30A
DS3	50A
DS6	90A
DS9	150A
DS2	250A

Pe 5-21	31 1A013	Pe M20	31 1A253 417
N 12-20	31 1A013 03	Pe M25	31 3A253 418
Pe 10-30	31 3A013	Pe M40	31 6A253 420
N 15-27	31 3A013 03	M M40	31 6A953 420
Pe 13-36	31 6A013	Pe M50	31 9A253 429
N 20-36	31 6A013 03	M M50	31 9A953 429
N 25-45	31 9A013 03	Pe M63	39 2A253 463
N 40-58	39 2A013	Pe M75	39 2A253 475

+



220/250V

380/440V

SPNE	SPNE+Aux	3PE	3PE+Aux	3PNE	3PNE+Aux
P 31 18015	31 18015 972	31 18013	31 18013 972	31 18017	31 18017 972
P 31 38015	31 38015 972 31 38015 264	31 38013	31 38013 972 31 38013 264	31 38017	31 38017 972 31 38017 972
P 31 68015	-	31 68013	31 68013 172	31 68017	-
M 39 68015	-	39 68013	39 68013 172	39 68017	-
P 31 98015	-	31 98013	31 98013 172	31 98017	-
M 39 98015	-	39 98013	39 98013 172	39 98017	-
M 39 28015	39 28015 972	39 28013	39 28013 972	39 28017	39 28017 972

For other tappings, please consult us

suffix **172/972** = 2 aux
suffix **264** = 4 aux

Example for a plug DS1 30A/230V SPNE



=



+



PLUG

HANDLE
31 1A013

INLET
31 18 015

P POLYESTER
Pe POLYAMIDE
N NEOPRENE
M METAL

These products are also available for many other voltages and frequencies. See page 7

WALL MOUNTING SOCKET



DS1	30A
DS3	50A
DS6	90A
DS9	150A
DS2	250A

For other tappings, please consult us

WALL BOX

CABLE GLAND NOT INCLUDED



30° WALL BOX		70° WALL BOX	
ENTRY	REFERENCE	ENTRY	REFERENCE
Pe M20	31 1A053	Pe (1)	51 BA058
Pe M25	31 1A083	Pe (2)	51 CA058
Pe M40	31 6A053	M M25	87 3A053
M M40	39 6A053	Pe (2)	51 DA058
M M50	39 9A053	M M40	87 6A053
M M63	39 2A053 (60°)	M M50	87 9A053

(1) 4 knock-out entries (2 x M16 to M32 + 2 x PG11 to PG29)
 (2) 4 knock-out entries (2 x M16 - M25 to M40+ 2 x PG11 - 21 to PG36)

SOCKET-OUTLET



220/250V		380/440V		220/250V 380/440V	
SPNE	SPNE+Aux.	3PE	3PE+Aux.	3PNE	3PNE+Aux.
P 31 14015	31 14015 972	31 14013	31 14013 972	31 14017	31 14017 972
P 31 34015	31 34015 972 31 34015 264	31 34013	31 34013 972 31 34013 264	31 34017	31 34017 972 31 34017 264
P 31 64015	-	31 64013	31 64013 172	31 64017	-
M 39 64015	-	39 64013	39 64013 172	39 64017	-
P 31 94015	-	31 94013	31 94013 172	31 94017	-
M 39 94015	-	39 94013	39 94013 172	39 94017	-
M 39 24015	39 24015 972	39 24013	39 24013 972	39 24017	39 24017 972

suffix 172/972 = 2 aux
 suffix 264 = 4 aux

INCLINED SOCKET



DS1	30A
DS3	50A
DS6	90A
DS9	150A
DS2	250A

INCLINED SLEEVE



30° INCLINED SLEEVE		70° INCLINED SLEEVE	
REFERENCE	REFERENCE	REFERENCE	REFERENCE
Pe 31 1A027	Pe 51 BA757	Pe 51 CA757	M 87 3A087
Pe 31 3A027	Pe 51 DA757	Pe 51 DA757	M 87 6A087
Pe 31 6A027	M 39 6A027	M 87 6A087	M 87 9A087
Pe 31 9A027	M 39 9A027	M 87 9A087	-
M 39 9A027	M 39 9A027	M 87 9A087	-
M 39 2A027 (60°)	-	-	-

SOCKET-OUTLET



220/250V		380/440V		220/250V 380/440V	
SPNE	SPNE+Aux.	3PE	3PE+Aux.	3PNE	3PNE+Aux.
P 31 14015	31 14015 972	31 14013	31 14013 972	31 14017	31 14017 972
P 31 34015	31 34015 972 31 34015 264	31 34013	31 34013 972 31 34013 264	31 34017	31 34017 972 31 34017 264
P 31 64015	-	31 64013	31 64013 172	31 64017	-
M 39 64015	-	39 64013	39 64013 172	39 64017	-
P 31 94015	-	31 94013	31 94013 172	31 94017	-
M 39 94015	-	39 94013	39 94013 172	39 94017	-
M 39 24015	39 24015 972	39 24013	39 24013 972	39 24017	39 24017 972

suffix 172/972 = 2 aux
 suffix 264 = 4 aux

CONNECTOR



DS1	30A
DS3	50A
DS6	90A
DS9	150A
DS2	250A

For other tappings, please consult us

HANDLE

CABLE GLAND NOT INCLUDED



STANDARD HANDLE		FLOWERPOT HANDLE	
Ø mm	REFERENCE	ENTRY	REFERENCE
Pe 5-21	31 1A013	Pe M20	31 1A253 417
N 12-20	31 1A013 03	Pe M25	31 3A253 418
Pe 10-30	31 3A013	Pe M40	31 6A253 420
N 15-27	31 3A013 03	M M40	31 6A953 420
Pe 13-36	31 6A013	Pe M50	31 9A253 429
N 20-36	31 6A013 03	M M50	31 9A953 429
N 25-45	31 9A013 03	Pe M63	39 2A253 463
N 40-58	39 2A013	Pe M75	39 2A253 475

SOCKET-OUTLET



220/250V		380/440V		220/250V 380/440V	
SPNE	SPNE+Aux.	3PE	3PE+Aux.	3PNE	3PNE+Aux.
P 31 14015	31 14015 972	31 14013	31 14013 972	31 14017	31 14017 972
P 31 34015	31 34015 972 31 34015 264	31 34013	31 34013 972 31 34013 264	31 34017	31 34017 972 31 34017 264
P 31 64015	-	31 64013	31 64013 172	31 64017	-
M 39 64015	-	39 64013	39 64013 172	39 64017	-
P 31 94015	-	31 94013	31 94013 172	31 94017	-
M 39 94015	-	39 94013	39 94013 172	39 94017	-
M 39 24015	39 24015 972	39 24013	39 24013 972	39 24017	39 24017 972

suffix 172/972 = 2 aux
 suffix 264 = 4 aux

Stop button

Add suffix **453** to socket-outlet part number

Optional padlocking

See page 16

Example for a wall mounting socket DS1 30A/400V 3PNE



P POLYESTER
Pe POLYAMIDE
N NEOPRENE
M METAL

Please contact us if you want to order the following:

HANDLES FOR LARGER SIZED CABLES



SCREW LOCKING - PADLOCKING - MULTIPLE LOCKING



In order to prevent unwanted disconnection and/or to deny access to a socket, different locking mechanisms are available. Also available for inlet/plug lockout.

IP55 INLET cap



	IP55 Inlet cap				
	DS1	DS3	DS6	DS9	DS2
REFERENCE	31 1A126	31 3A126	31 6A126	31 9A126	31 2A126

STOP BUTTON



Sockets can be fitted with a mushroom latch button with a red sticker marked «stop». This allows the quick and safe disconnection of the plugged-in appliance, even with a gloved hand.

DRAW MECHANISM

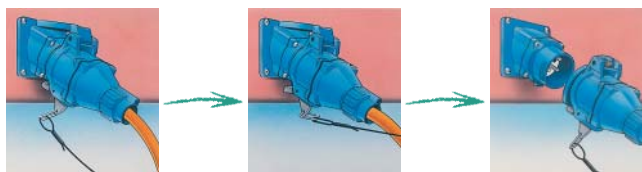


	Closing Mechanisms					
	CLOSING HANDLE SET			BASE ONLY		LEVER ONLY
DS9	M	39 9A346	=	39 9A396	+	39 9A376
DS2	M	39 2A346	=	39 2A396	+	39 2A376

OPTIONS FOR SOCKET LID

Instead of having socket lids self opening, they can also self close, or self open to 180°, or both.

AUTO-EJECTING DECONTACTORS



DS decontactors can be modified to self-eject. Tension applied to the supply cable causes the socket and inlet to separate thus preventing accidents and minimising damage to mobile appliances. Plugs can self-eject from sockets and connectors can self-eject from fixed inlets. Please ask for our special leaflet.

Road transport vehicles / Electric boats



Applications:

- Battery recharging.
- Refrigerated trailers.
- Taken aboard ship equipment supply.

Benefits:

- Prevent damage if vehicle / boat starts without having first unplugged its connector.
- Watertight versions available.

Fire tenders / Emergency vehicles



Applications:

- Battery recharging.
- Diesel / water heating.

Benefits:

- No tugging or pulling to disengage force-fit connections. Slight tension releases plug. Firemen can leave the station in an emergency without unplugging if necessary.

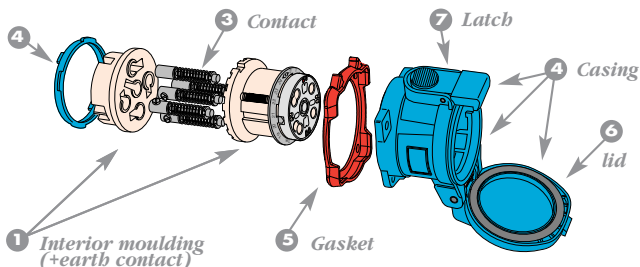
SPARE PARTS

DS

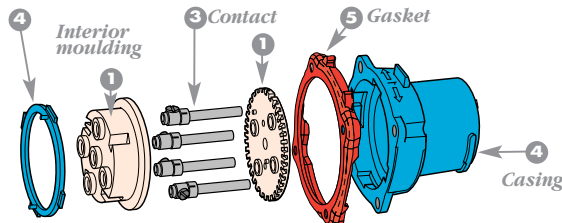
fax 44(0) 1244 851498 or 33(0)1 45 11 60 60

30/250A

SOCKET-OUTLET SPARE PARTS



INLET SPARE PARTS



TO ENSURE YOU RECEIVE THE CORRECT MARECHAL SPARE PARTS, SIMPLY FILL OUT THIS FORM AND FAX IT BACK TO US. FOR UK & EIRE +44 (0)1244 851498 FOR ALL OTHER COUNTRIES +33 (0)1 45 11 60 60 WE WILL SEND IT BACK WITH A QUOTATION NUMBER THAT YOU WILL USE TO PLACE YOUR ORDER

SOCKET-OUTLET

INLET

DESIGNATION OF THE PART (REFER TO THE DRAWING ABOVE):

A RANGE (SEE LABEL ON PRODUCT):

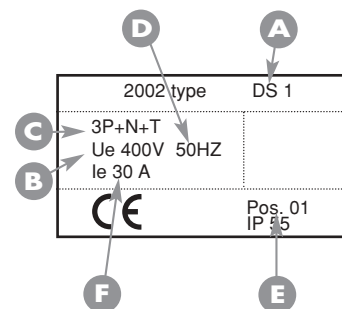
B VOLTAGE:

C POLARITY:

D FREQUENCY:

E NOTCH POSITION EG 01,07:

F CURRENT:



QUANTITY:

CUSTOMER ADDRESS:

COMPANY NAME:

CONTACT NAME:

ADDRESS:

PHONE: FAX:

E-MAIL:

OUR REPLY:

MARECHAL QUOTE NUMBER:

PRICE EACH:

VALIDITY: